

DS-K6B411TX
Value Smart Swing Barriers

- Supports AP mode for mobile Web, for Android phones to access more easily by a simple touch via NFC function.
- Supports built-in face recognition camera module on the top of cover, easy and convenient.
- Anti-passback: Supports cross-device anti-passback function, effectively preventing unauthorized personnel from following in.
- WEB management: Supports mobile Web and PC Web management, and can perform operations such as personnel management, parameter configuration, event query, and system maintenance.
- Fire linkage: The equipment has a fire linkage interface. When the fire signal is triggered, the barrier will be open automatically for emergency evacuation.
- Barrier is in free status when powering down, allowing people to pass freely. Super capacitor (optional) can realize automatic door opening in case of power failure.

▪ Specification

System	
Motor	Brushless Motor
MCBF	≥ 5 million times
Brake	Not support
Throughput	60 persons per minute
Door open duration	5 to 60 sec
dToF sensor	6 sensors with sensitivity calibration
Video	
Lens	Dual lens
Video compression standard	H.264
Resolution	2 MP
FOV	Horizontal: 75° Vertical: 139°
WDR	Support
Video standard	PAL by default, support NTSC
Audio	
Audio compression standard	G.711U
Audio compression bitrate	64 Kbps
Audio output	Support
Volume adjustment	Support
Power output	5.5W
Network	
Wired network	Support,10M/100M
Wi-Fi	For AP mode only
Interface	
Network interface	1
Lock control	0
Exit button	2
Alarm output	4
RS-485	2
RS-232	0
Wiegand	0
USB	2
Fire alarm input	2
Case input	2
Hardware	
Access controller	Supplied
Supercapacitor	Supplied
Network switch	Not supplied
Directional led	Supplied
Capacity	
Face capacity	100,000
Card capacity	200,000
Event capacity	100,000

Authentication	
Face recognition distance	0 m to 2 m
Face recognition accuracy rate	> 99%
Face recognition duration	< 200 ms
Card Type	EM card or M1 card (actual corresponding card type refer to product model names)
Card reading frequency	13.56 MHz or 125 KHz
Card reading distance	3cm
Card reading duration	< 1s
Function	
Configuration via PC Web	Support
Configuration via mobile Web	Support
Hik-Connect	Support
Multi-factor authentication	Support
Face anti-spoofing	Support
Door positioning encoder	Support
Built-in face recognition	Support
Bidirectional	Support
Communication protocol	ISAPI,TCP/IP
General	
Lane width	550 mm to 1200 mm
Barrier material	8 mm acrylic glass
Pedestal material	SUS304 stainless steel 1.2 mm
Indicator	Lane status indicator, authentication indicator and barrier light
Power consumption	100 W
Working temperature	-15 °C to 65 °C (5 °F to 149 °F)
Working humidity	10% to 95% (No condensing)
Protective level	IPX4
Dimensions	Without package: 1205 mm × 199 mm × 1072 mm (47.44" × 7.83" × 42.21") With package: 1405 mm × 345 mm × 1195 mm (55.31" × 13.58" × 47.05")
Weight	Net: Left: 34.42 kg (75.88 lb) Middle: 35.53 kg (78.33 lb) Right: 34.2 kg(75.48 lb) Gross: Left: 41.48 kg (91.45 lb) Middle: 42.59 kg (93.89 lb) Right: 41.26 kg (90.96 lb)
Approval	CE/CB/RoHS/REACH/WEEE
Power supply method	M: 100-120V~/200-240V~,50Hz/60Hz,1.6A L/R: 100-240V~,50Hz/60Hz,0.8A
Language	English, Japanese, Thai, Indonesian, Russian, Spain (European), Spain (Latin America), Portugal (Brazil), Arabic, Kazakh, Uzbek, Ukraine
Interconnecting cable length	5.5m
Configuration	
Lane width	650;750;900;1100
Pedestal length	1200 mm

Module selection	YES
Pedestal width	200 mm
Wall distance	20 mm
Base	YES
Barrier material	Acrylic glass;Stainless steel pipe
Application environment	Indoor and outdoor
Authentication mode	Card,Face,QR code
Card type	EM,M1
Recommended width	650 mm
Base model	DS-KSM01/B411
Product type	Swing barrier
Remote controller type	433Mhz,868Mhz
Built-in face recognition	YES
Convert Face	NO
Door Height	Default(0.77m)
Door wing gap	Default:50mm
Integrated Auth	Card;Face

▪ Note

The main element of the turnstile is stainless steel, which is rust less (antioxidant) and corrosion resistant (The anti-corrosion ability in the medium of acid, alkali, and salt). In order to keep the stainless steel from being oxidized or corroded, you should clean and care the turnstile surface periodically.

The instructions and tips for maintaining the turnstile are as follows:

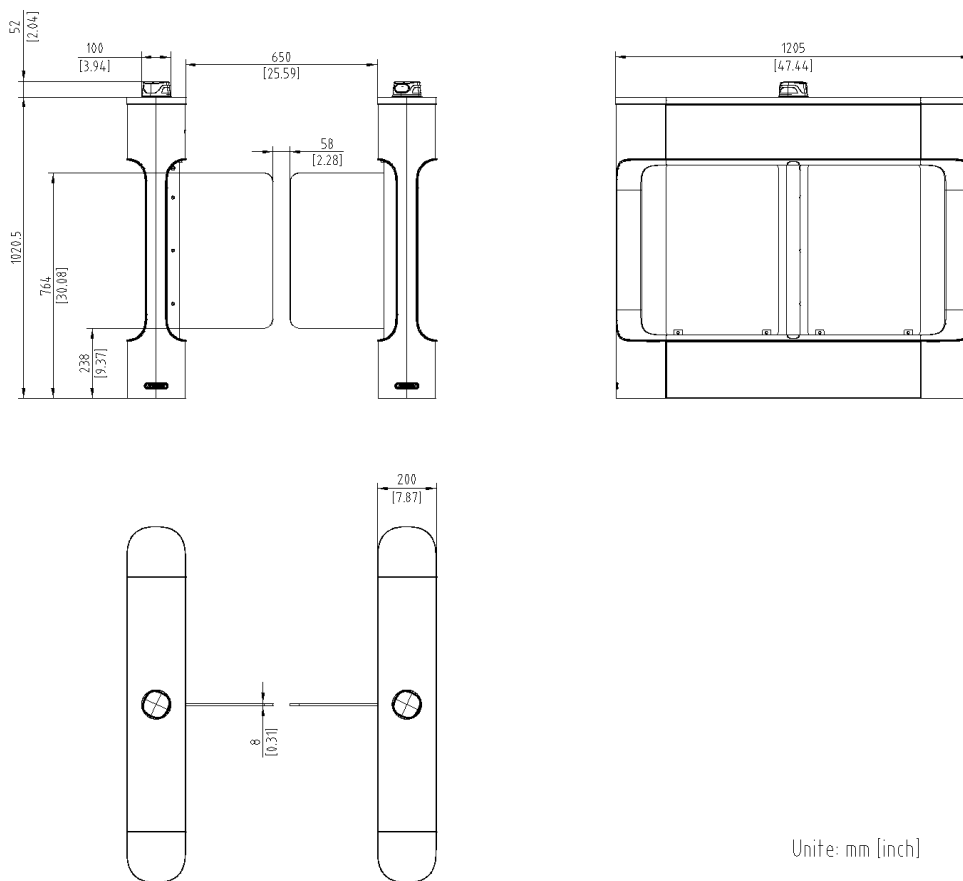
1. Select different stainless steel types according to the variety of the environments. You can select 304 stainless steel for common circumstances and 316 stainless steel for the scenarios of seaside and chemical plants.
2. Keep the device surface clean and dry.
3. Use non-woven cloth and ethyl alcohol to clean the dirt on the device surface.
4. Use sourcing pad (do not use mesh cleaning ball) to clean the rust on the device surface by following the wire drawing on the stainless steel. And then use non-woven cloth and stainless steel cleaner to wipe the device surface.
5. Clean and maintain the device by using non-woven cloth and stainless steel cleaner periodically. It is suggested to clean the device every month in common circumstances and every week for severe environments (seaside and chemical plants for instance).

▪ Available Model

DS-K6B411TMX-R/868
DS-K6B411TMQX-R/868
DS-K6B411TEQX-R/868
DS-K6B411TMQX-L
DS-K6B411TMQX-M
DS-K6B411TMQX-R
DS-K6B411TEQX-L
DS-K6B411TEQX-M
DS-K6B411TEQX-R
DS-K6B411TMX-LR
DS-K6B411TMX-L/Mpi
DS-K6B411TMX-R/No WiFi/Brazil

- DS-K6B411TEX-R/868
- DS-K6B411TMX-L
- DS-K6B411TMX-R/Mpi
- DS-K6B411TEX-L
- DS-K6B411TMX-M
- DS-K6B411TEX-M
- DS-K6B411TMQX-M/Dp65
- DS-K3B411TX-M/Mpi-Dp55
- DS-K6B411TMX-R
- DS-K6B411TEX-R
- DS-K6B411TMX-M/No WiFi/Brazil
- DS-K6B411TMX-L/No WiFi/Brazil
- DS-K6B411TX-R/Modular
- DS-K6B411TX-M/Modular
- DS-K6B411TX-L
- DS-K6B411TEQX-R/Dp65

▪ **Dimension**



Unit: mm [inch]

▪ **Accessory**

▪ **Optional**

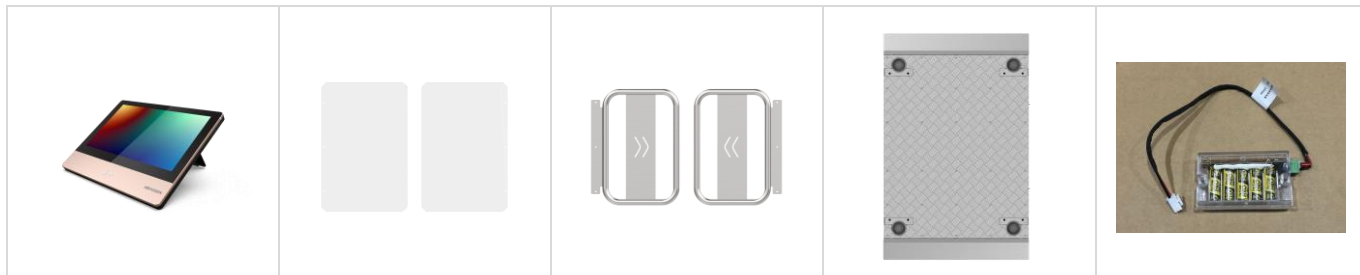
DS-K7R83X

DS-KSD24-P

DS-KSD24-M

DS-KSM01/B411

DS-K7B01



See Far, Go Further



www.hikvision.com
support@hikvision.com

