

## iDS-TCM403-EIR Radar-Assisted Smart Monitoring Camera

**DarkFighter**

**DeepinView**



- High performance ANPR bullet camera
- High quality imaging with 4 MP resolution(1/1.8" CMOS)
- Clear imaging against strong back light due to 140 dB WDR technology
- Excellent low-light performance with DarkFighter technology
- Motorized vari-focal lens for easy installation and monitoring
- Efficient H.265 compression technology
- Smart functions: supports license plate recognition (LPR), vehicle type, color, and manufacturer recognition, no-plate vehicle capture, driving direction detection, and motorcycle capture
- Built-in speed measurement radar, speed range: 10-100 km/h
- Scenarios: tunnel, toll station, urban road, parking entrance
- All-weather workable, free of influences from rain, snow, fog, wind, dust, illumination, etc

## Superiority

- Dedicated camera for ANPR
  - HD resolution
  - Integrated IR
  - Professional shutter speed control
- Built-in ANPR engine, equipped with AI algorithm



## Application

- Vehicle control
- Traffic monitoring
- Toll collection
- Security

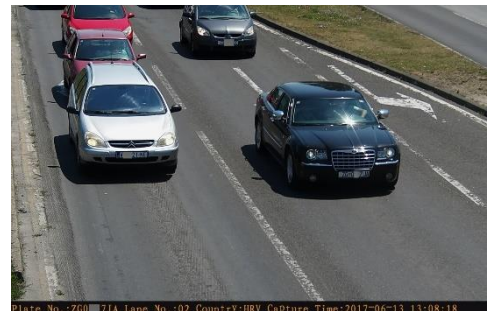
## Scenarios

- Enterprise campus
- Toll station
- Urban road
- Parking entrance



## Smart Function

- Support vehicle model classification
- Support vehicle color identification
- Support no-plate vehicle capture
- Support driving direction detection
- Support motorcycle capture



## ▪ Specification

Camera	iDS-TCM403-EIR/0411	iDS-TCM403-EIR/0832
Image Sensor	1/1.8" progressive scan CMOS	
Max. Resolution	2688 × 1520	
Min. Illumination	Color: 0.001 Lux @ (F1.2, AGC ON) B/W: 0.0005 Lux with IR	
Shutter Time	1/25 s to 1/100,000 s	
Slow Shutter	Supported	
Day & Night	IR cut filter	
<b>Lens</b>		
Focal Length	4-11 mm	8-32 mm
Aperture	F1.38	F1.63-1.8
Focus	Auto	
Iris Type	Fixed iris	DC drive
FOV	Horizontal FOV: 114.7° to 41.9°; Vertical FOV: 59.4° to 23.6°; Diagonal FOV: 141.5° to 48.1°	Horizontal FOV: 39.7° to 15.9°; Vertical FOV: 22.3° to 9.1°; Diagonal FOV: 45.8° to 18.1°
<b>Illuminator</b>		
Built-in Supplement Light Range	Up to 30 m	
IR Wavelength	850 nm	
<b>Supplement Detection (Radar)</b>		
Detection Distance	20 to 50 m (motor vehicles)	
Speed Range	10 to 100 km/h	
Horizontal Detection Angle	± 22°	
Vertical Detection Angle	± 10°	
Speed Measurement Accuracy	-2 to 2 km/h	
<b>Video</b>		
Main Stream	50 Hz: 25 fps (2688 × 1520, 1920 × 1080, 1280 × 720, 704 × 576, 352 × 288) 60 Hz: 30 fps (2688 × 1520, 1920 × 1080, 1280 × 720, 704 × 576, 352 × 288)	
Sub Stream	50 Hz: 25 fps (1920 × 1080, 1280 × 720, 704 × 576, 352 × 288) 60 Hz: 30 fps (1920 × 1080, 1280 × 720, 704 × 576, 352 × 288)	
Third Stream	50 Hz: 25 fps (1280 × 720, 704 × 576, 352 × 288) 60 Hz: 30 fps (1280 × 720, 704 × 480, 640 × 480)	
Video Compression	H.264 and H.265 encoding Main stream: H.265/H.264/MJPEG Sub-stream: H.265/H.264/MJPEG	
Video Bit Rate	32 Kbps to 16 Mbps	
H.264 Type	Baseline profile/Main profile/High profile	
H.265 Type	Baseline profile/Main profile/High profile	
<b>Network</b>		
Protocols	TCP/IP, HTTP, HTTPS, FTP, DNS, RTP, RTSP, RTCP, NTP, IPv6, UDP	
Simultaneous Live View	Up to 6 channels	
API	ISAPI, SDK	
User/Host	Up to 32 users 3 user levels: administrator, operator, and user	

Security	Password protection, HTTPS encryption, digest authentication for HTTP/HTTPS, digest authentication for ONVIF (Version 2.1)
Network Storage	Micro SD/TF card (128 GB), local storage and CVR, NVR, ANPR
Client	Hik-Central Master
Web Browser	IE7+
<b>Image</b>	
Image Settings	Rotation mode, saturation, brightness, contrast, sharpness, AGC, and white balance are adjustable via client software or web browser.
Day/Night Switch	Auto/Scheduled/Triggered by alarm in
Wide Dynamic Range (WDR)	140 dB
Image Enhancement	BLC, 3D DNR
Picture Overlay	Logo picture can be overlaid on video with 128 × 128 in 24-bit bmp format
<b>Interface</b>	
Video Output	Network
Ethernet Interface	1 RJ45 10M/100M Ethernet interface
On-board Storage	Built-in microSD/TF card, up to 128 GB
Alarm	1 output interface
RS-485	1 RS-485 interface,1 RS-232 interface
<b>Event</b>	
Basic Event	HDD Error, Network Disconnected, IP Address Conflicted, Vehicle Detector Exception, Traffic Light Detector Exception
<b>Road Traffic and Vehicle Detection</b>	
Smart Function	License plate recognition Vehicle type classification, color identification, no-plate vehicle capture, vehicle driving direction detection

LPR Countries/Regions	<p>Middle East: The United Arab Emirates (Abu Dhabi, Ajman, Dubai, Fujairah, Ras Al Khaimah, Sharjah and Umm Al Quwain), Qatar, Iran, Iraq, Egypt, Jordan, Kuwait, Saudi Arabia, Pakistan, Oman, Lebanon, Bahrain</p> <p>Africa: Nigeria, Kenya, Ivory Coast, South Africa, Tanzania, Mauritius, Morocco, Tunisia, Sierra Leone, Zambia, Ghana, Zimbabwe, Uganda, Angola, Ethiopia, Senegal, Algeria</p> <p>Asia-Pacific: Australia, New Zealand, Indonesia, Malaysia, Singapore, South Korea, Thailand, Vietnam, the Philippines, Hong Kong, Macao, Taiwan, Burma, India, Mongolia, Cambodia, Laos, Bangladesh</p> <p>America: The United States of America, Canada, Argentina, Chile, Paraguay, Uruguay, El Salvador, Bolivia, Colombia, Brazil, Ecuador, Peru, Mexico, Panama, Costa Rica, Trinidad and Tobago, the Dominican Republic, Guatemala</p> <p>Europe: Turkey, Croatia, Slovakia, Czech Republic, Bulgaria, the Republic of North Macedonia, Hungary, Greece, Poland, France, Netherlands, Switzerland, Spain, the UK, Ireland, Germany, Italy, Austria, Israel, Palestinian State, Belgium, Luxembourg, Albania, Kosovo</p> <p>Russian-Speaking Regions: Azerbaijan, Belarus, Kazakhstan, Lithuania, Georgia, Estonia, Latvia, Russia, Ukraine, Moldova, Uzbekistan, Kyrgyzstan, Armenia</p>
Accuracy (Under recommended installation and lighting conditions)	<p>Capture rate &gt; 99%</p> <p>Driving direction recognition accuracy &gt; 98.5%</p> <p>LPR accuracy &gt; 98%</p> <p>Mistaken capture rate &lt; 2%</p> <p>European and Russian-Speaking Regions: LPR accuracy &gt; 98%</p> <p>Country/Region recognition accuracy &gt; 95%</p>
No License Plate Detection	Supported
Motorcycle LPR	Supported
Vehicle Type	Car/Van/Bus/Truck/Light Truck/SUV_MPV/Pickup/Pedestrian/Motorcycle/Tricycle
Vehicle Color	<p>Red, yellow, green, blue, pink, purple, cyan, brown, white, grey, black</p> <p>Recognizable at daytime only.</p>
Vehicle Manufacturer	<p>84 manufacturers: Hyundai, Toyota, KIA, Honda, Volkswagen, Benz, Nissan, Ford, Isuzu, BMW, Chevrolet, Mitsubishi, Renault, Opel, Suzuki, Skoda, Daewoo, Audi, Mazda, GAC HINO, Peugeot, SsangYong, Citroen, Fiat, Scania, MAN, Volvo, Lexus, Seat, Land Rover, Daihatsu, Dongwo, Subaru, Iveco, MINI, JEEP, Porsche, Chery, Dodge, Chrysler, Acura, Alfa Romeo, Great Wall, Infiniti, Smart, Saic Maxus, JAC, Jaguar, GMC, Lincoln, JMC, SAAB, FAW, Yutong, Guangzhou Yunbao, Joylong, Geely, Cadillac, JBC, An'kai, Haima, Foton, King Long, Dongfeng, Geely-Emgrand, Perodua, UD, BYD, Renault Samsung, Proton, HICOM, Malaysia_Unknown 1, Hyundai-Rohens, SsangYong-Old Version, Equus-Old Version, CNHTC, Rolls-Royce, Beiben Truck, Haval, Hino, Kia-Borrego, Chang'an, Alfa, FORO</p>
Capture Speed Range	10 to 100 km/h

General	
Firmware Version	V5.0.2
Operating System	Linux
Power	12 VDC to 30 VDC, Max. 12 W
Material	Aluminum alloy
Dimension	Without package: 115.5 mm (W) × 184.3 mm (H) × 298.6 mm (D)
Weight	Camera: approx. 2.5 ± 0.5 kg (5.5 ± 1.1 lb.)
Operating Condition	Temperature: -30 °C to +70 °C (-22 °F to +158 °F) , Humidity: 95% or less (non-condensing)
General Function	One-key reset, three streams, heartbeat, password protection, watermark
Approval	
EMC	CE, FCC
Environment	RoHS
Protection	IP67

\* Listed resolutions are only selectable options. It does not mean that all streams can work at their maximum resolution at the same time.

#### ▪ Available Model

iDS-TCM403-EIR/0411

iDS-TCM403-EIR/0832

\* Please decide whether to use anti-corrosion devices or matched hoops and brackets according to the actual working environment.

▪ Application Scenario



Urban Road



Mixed Road



Entrance & Exit



Highway Toll Station

▪ Application Performance

- Urban road, mixed road, etc.



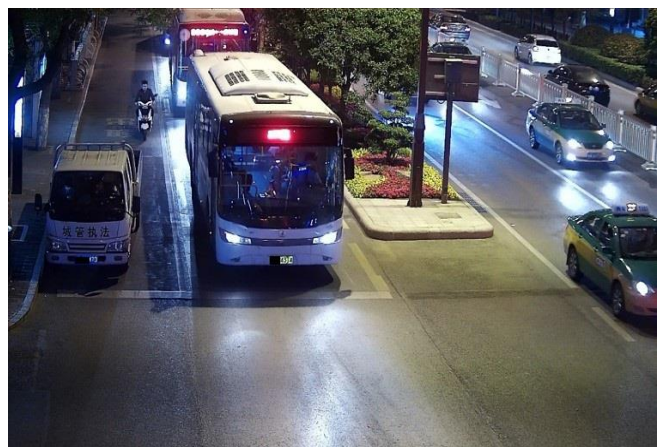
Day



Night



Day



Night

- Entrance & exit, highway toll station, etc.

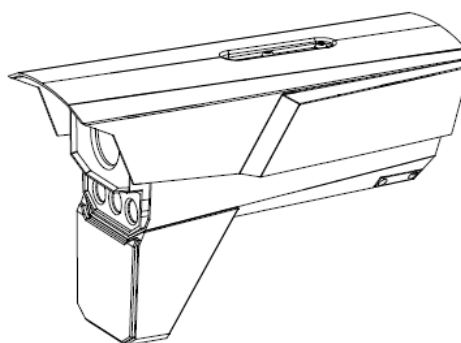
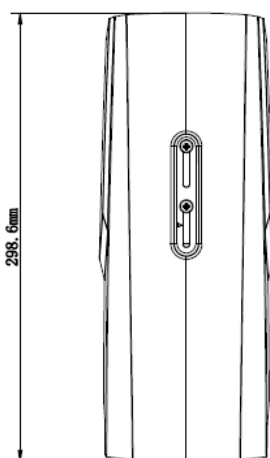
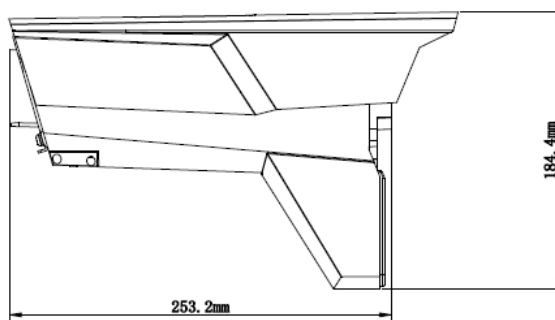
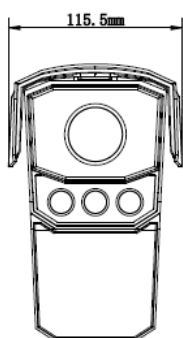


Day



Night

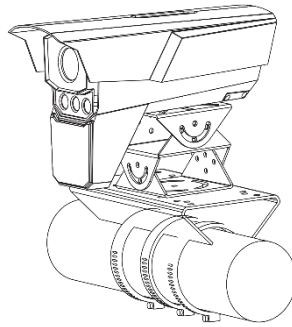
▪ Dimension





- **Accessory**
- **Optional**

**DS-1278ZJ-HWB/HG/60-300**  
**Cross Bar Mounting Bracket**



**Headquarters**

No.555 Qianmo Road, Binjiang District,  
Hangzhou 310051, China  
T +86-571-8807-5998  
www.hikvision.com



Follow us on social media to get the latest product and solution information.

