

## THC-B127-P 2 MP Camera



- High quality imaging with 2 MP, 1920 × 1080 resolution
- 2.8 mm, 3.6 mm fixed focal lens
- Up to 20 m white light distance for bright night imaging
- One port for four switchable signals (TVI/AHD/CVI/CVBS)

▪

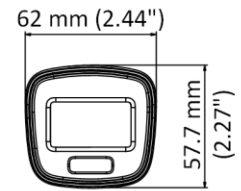
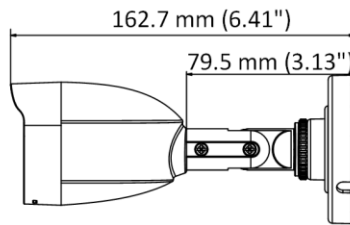
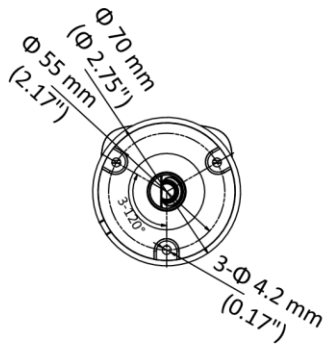
## ▪ Specification

| <b>Camera</b>            |   |
|--------------------------|---|
| Image Sensor             | 2 MP CMOS   |
| Signal System            | PAL/NTSC  |
| Resolution               | 1920 (H) × 1080 (V)   |
| Frame Rate               | TVI: 1080p@25fps/30fps<br>CVI: 1080p@25fps/30fps<br>AHD: 1080p@25fps/30fps<br>CVBS: PAL/NTSC  |
| Min. Illumination        | 0.01 Lux @ (F1.6, AGC ON), 0 Lux with white light   |
| Shutter Time             | PAL: 1/25 s to 1/50,000 s; NTSC: 1/30 s to 1/50,000 s   |
| Lens                     | 2.8 mm/3.6 mm fixed lens  |
| Field of View            | 2.8 mm, horizontal FOV: 109°, vertical FOV: 57°, diagonal FOV: 129°<br>3.6 mm, horizontal FOV: 87°, vertical FOV: 44°, diagonal FOV: 105° |
| Lens Mount               | M12   |
| Day & Night              | 24/7 Color Imaging  |
| WDR (Wide Dynamic Range) | Digital WDR   |
| Angle Adjustment         | Pan: 0° to 360°, Tilt: 0° to 180°, Rotation: 0° to 360°   |
| <b>Image</b>             |   |
| White Light              | Auto/Off  |
| Image Mode               | STD/HIGH-SAT  |
| AGC                      | Yes   |
| Day/Night Mode           | Color   |
| White Balance            | Auto/Manual   |
| AE (Auto Exposure) Mode  | DWDR,BLC,HLC,Global   |
| Noise Reduction          | 2D DNR  |
| Language                 | English   |
| Function                 | Brightness, Contrast, Mirror, Sharpness, Smart Light, Saturation  |
| <b>Interface</b>         |   |
| Video Output             | Switchable TVI/AHD/CVI/CVBS   |
| Power Output             | 12 VDC  |
| <b>General</b>           |   |
| Operating Conditions     | -40°C to 45°C (-40°F to 113°F), Humidity: 90% or less (non-condensing)  |
| Power Supply             | 12 VDC±25%<br><i>*You are recommended to use one power adapter to supply the power for one camera.</i>                                    |
| Consumption              | Max. 2.3 W  |
| Material                 | Plastic   |
| White Light Range        | Up to 20 m  |
| Dimension                | 162.7 mm × 70 mm × 70 mm (6.41" × 2.75" × 2.75")  |
| Weight                   | Approx. 152.5 g (0.34 lb.)  |
| <b>Approval</b>          |   |
| Protection               | IP66  |

## ▪ Available Model

THC-B127-P

## ▪ Dimension



## ▪ Accessory

### ▪ Optional

#### HIA-J101

#### Junction Box

