

Ruijie CM85-4XS2CQ Module Datasheet V1.0

Ruijie Networks Co., Ltd.

All rights reserved.

Contents

Ruijie CM85-4XS2CQ Module	1
1. Product Overview	1
2. Product Appearance.....	1
3. Product Specifications.....	1
Technical Specifications	1
LED	2
4. Ordering Information	3
5. Warranty	3
6. More Information	3

1. Product Overview

CM85-4XS2CQ is expansion module of the RG-CS85 switch. The CM85-4XS2CQ module provides four 10GE SFP+ ports and two QSFP28 ports. The QSFP28 ports support 100G and 40G modes. The 100G can be split into 4*25G mode and the 40G can be split into 4*10G mode.

2. Product Appearance

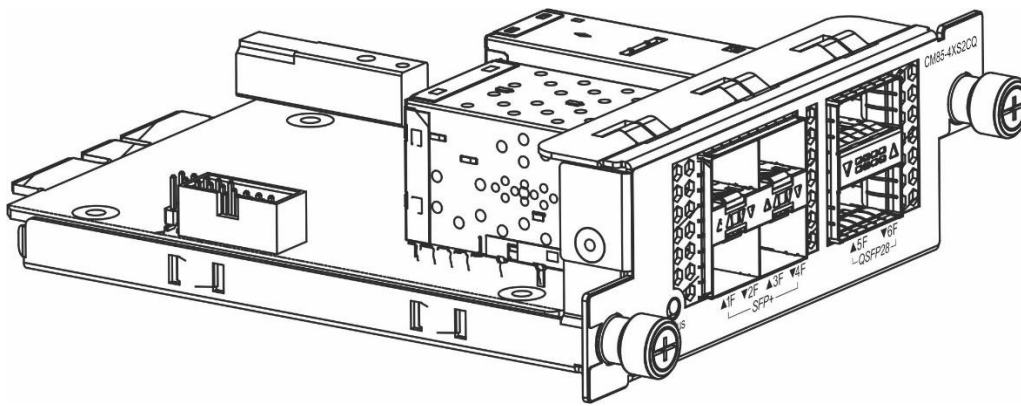


Figure 1 CM85-4XS2CQ

3. Product Specifications

Technical Specifications

Model	CM85-4XS2CQ
SFP Module Type	SFP+ interface SFP module, SFP BIDI module SFP+ module, SFP+ AOC cable, SFP+ BIDI module QSFP+ module, QSFP+ AOC cable QSFP28 module, QSFP28 AOC cable
SFP+ Port	10GBase-R Capable 1000Base-X Capable
QSFP28 Port	100G/40G The 100G can be split into 4*25G mode and the 40G can be split into 4*10G mode.

Power Consumption	< 22 W
Temperature	<p>Operating temperature: 0°C to 45°C (32°F to 113°F) at a height below 1800 m (1.12 miles) above the sea level.</p> <p>At a height ranging from 1800 m (1.12 miles) to 5000 m (3.11 miles) above the sea level, the maximum operating temperature decreases by 1°C (1.8°F) every time the altitude increases by 220 m (721.78 ft.).</p> <p>Storage temperature: -40°C to 70°C (-40°F to 158°F)</p>
Humidity	<p>Operating humidity: 10% to 90% RH (non-condensing)</p> <p>Storage humidity: 5% to 95% RH (non-condensing)</p>
Altitude	0 to 5000 m (3.11 miles)
EMI Certification	GB/T 9254.1
Safety Regulation Compliance	GB 4943.1
Dimensions (W x D x H)	125 mm x 120 mm x 39 mm (4.92 in. x 4.72 in. x 1.54 in.)
Weight	0.45 kg (0.99 lbs.)

LED

LED	Panel Identification	Status	Meaning
System status LED	Status	Off	The switch is not powered on.
		Blinking green (3 Hz)	Initialization is in progress. Continuous blinking indicates a fault.
		Solid green	The module is operational.
		Solid red	The module is faulty. For details, see Troubleshooting.
10GE SFP+ port status LED	1F-4F	Off	The port is not connected.
		Solid green	The port is connected at 1/10 Gbps.
		Blinking green	The port is receiving or transmitting data at 1/10 Gbps.
QSFP28 port status LED	5F-6F	Off	The port is not connected.
		Solid green	The port is connected at 40/100 Gbps.
		Blinking green	The port is receiving or transmitting data at 40/100 Gbps.

4. Ordering Information

Model	Description
CM85-4XS2CQ	4 x 10GE SFP+ ports, 2 x100GE QSFP28 ports

5. Warranty

For more information about warranty terms and period, contact your local sales agency:

Warranty terms: <https://www.ruijienetworks.com/support/servicepolicy>

Warranty period: https://www.ruijienetworks.com/support/service_41

Note: The warranty terms are subject to the terms of different countries and distributors.

6. More Information

For more information about Ruijie Networks, visit the official Ruijie website or contact your local sales agency:

Ruijie Networks official website: <https://www.ruijienetworks.com/>

Online support: <https://www.ruijienetworks.com/support>

Hotline support: <https://www.ruijienetworks.com/support/hotline>

Email support: service_rj@ruijienetworks.com