

DS-2TD4237-10/V2

Thermal & Optical Bi-spectrum Network Speed Dome



- High sensitivity thermal module with 384 × 288 resolution
- NETD is less than 40 mk (@25° C, F#=1.0)
- Leading thermal image processing technology: Adaptive AGC, DDE, 3D DNR
- Powerful perimeter protection functions, based on intelligent algorithm: Line crossing, intrusion, region entrance & exit
- Reliable temperature-anomaly alarm
- Advanced fire detection algorithm

▪ Specification

Thermal Module	
Image sensor	Vanadium Oxide Uncooled Focal Plane Arrays
Pixel Interval	17μm
NETD	less than 40mk (@25°C,F#=1.0)
MRAD	1.7
Field of View	37.7° × 28.7° (H × V)
Min. Focusing Distance	1.2 m
Aperture	F1.0
Lens (Focal Length)	10 mm
Response waveband	8μm to 14μm
Max. Resolution	384 × 288
Optical Module	
Max. Resolution	1920 × 1080
Image Sensor	1/2.8" Progressive Scan CMOS
Min. Illumination	Color: 0.05 lux @ (F1.2 , AGC On),B/W : 0.01 lux @ (F1.2 , AGC On)
Field of View	65.6° to 2.46° (Wide-Tele)
Aperture Range	F1.2-F4.4
Focus Mode	Auto / Semiautomatic / Manual
WDR	120dB
Shutter Speed	1s to 1/100,000s
Day & Night	IR Cut Filter
Smart Function	
Fire Detection	Dynamic fire detection, up to 10 fire points detectable.
Selection Parameter	
Focal Length	4.8-153mm, 32x
Case Type	Speed Dome
Smart Function	
VCA(Video Content Analysis)	4 VCA rule types (Line Crossing, Intrusion, Region Entrance, and Region Exiting), up to 8 VCA rules.
Temperature Measurement	3 temperature measurement rule types, 21 rules (10 points, 10 regions, and 1 line).
Temperature Range	-20 °C to 150 °C (-4 °F to 302 °F)
Temperature Accuracy	±8 °C (14.4 °F)
Fire Detection	Dynamic fire point detection, up to 10 fire points detectable.
PTZ	
Movement Range	Pan: 360° Continuous Rotate; Tilt: From -5° to + 90° (auto flip)
Pan Speed	0.1°/s to 200°/s
Tilt Speed	0.1°/s to 105°/s
Proportional Zoom	Yes
Presets	300
Patrol Scan	8; Up to 32 Presets Per Patrol
Pattern Scan	4; More Than 10 Minutes Per Pattern
Power Off Memory	Yes
Park	Preset/Pattern Scan/Patrol Scan/Auto Scan/Tilt Scan/Random Scan/Frame Scan/Panorama Scan

PT Status	Turn On/Turn Off
Scheduled Task	Preset/Pattern Scan/Patrol Scan/Auto Scan/Tilt Scan/Random Scan/Frame Scan/Panorama Scan/Doom Reboot/Doom Adjust/Aux Output
Network	
API	ISAPI, HIKVISION SDK, third-party management platform, ONVIF (Profile S, Profile G, Profile T)
Web Browser	Live view (plug-in allowed) : Internet Explorer 11 Live view (plug-in free) : Chrome 57.0 +, Firefox 52.0 + Local service : Chrome 57.0+, Firefox 52.0 +
Infrared	
IR Distance	Up to 100 m
IR Intensity and Angle	Automatically adjusted
Network	
Main Stream	Visible Light: 50Hz: 25fps (1920 × 1080), 25fps (1280 × 960), 25fps (1280 × 720) ,Visible Light: 60Hz: 30fps (1920 × 1080), 30fps (1280 × 960), 30fps (1280 × 720) ,Thermal: 25fps(1280 × 720), 25fps(704 × 546), 25fps(384 × 288), 25fps(352 × 288)
Sub stream	Visible Light: 50Hz: 25fps (704 × 576), 25fps (352 × 288) ,Visible Light: 60Hz: 30fps (704 × 480), 30fps (352 × 288) ,Thermal: 25fps(704 × 546), 25fps(384 × 288), 25fps(352 × 288)
Video compression	H.265 (Main Profile) ,H.264 (Baseline/Main/High Profile)
Audio compression	G .711u/G.711a/G.722.1/MP2L2/G.726/PCM
Protocols	TCP/IP, ICMP, HTTP, HTTPS, FTP, DHCP, DNS, DDNS, RTP, RTSP, RTCP, PPPoE, NTP, UPnP, SMTP, SNMP, IGMP, 802.1X, QoS, IPv6, UDP, Bonjour
Simultaneous live view	Up to 20-ch
User/Host level	Up to 32 users, 3 levels: Administrator, Operator, User
Security measures	User authentication (ID and PW), MAC address binding, HTTPS encryption, IEEE 802.1x access control, IP address filtering
Integration	
Alarm Input	Up to 7-ch Input (0-5V DC)
Alarm Output	Up to 2-ch Relay Output; Support Alarm Linkage
Alarm Action	Preset/Patrol Scan/Pattern Scan/SD Card Record/Relay Output/Smart capture/FTP upload/Email linkage
Audio Input	LINE_IN Input/MIC Input; Peak: From 2 to 2.4V[p-p]; Output Impedance: 1KΩ±10%
Audio Output	Linear Level; Impedance: 600Ω
Ethernet	Built-in RJ45; 10M/100M Ethernet Interface
SD Memory Card	Built-in Micro SD/SDHC/SDXC Card Slot, Up to 64GB; Support Manual/Alarm Recording
Analog Video Output	1.0V [p-p]/75Ω, PAL/NTSC/BNC
RS485	Half-Duplex; HIKVISION, PELCO-P and PELCO-D Self-adaptive
Application Programming	Open-ended API, support ISAPI; Support HIKVISION SDK and Third-party Management Platform
Client	iVMS-4200
Web Browser	IE 7+, Chrome 18+, Firefox 5.0+, Safari 5.02+; Multiple Languages
General	
Menu Language	English
Power	24 V AC± 25%
Power Consumption	30W
Work Temperature/Humidity	From -30 °C to 60 °C (-22 °F to 140 °F), 90% or less

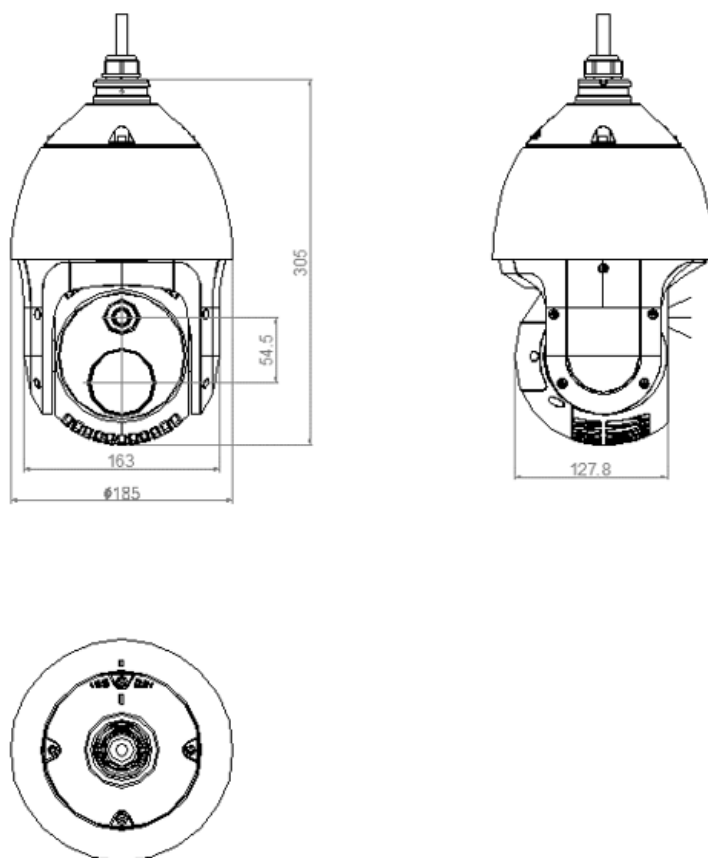
Protection Level	IP66 Standard; TVS 6000V Lightning Protection, Surge Protection and Voltage Transient Protection
Dimensions	305 mm × 185 mm × 163 mm (12.01 " × 7.28" × 6.42 ")
Weight	Approx. 3.9Kg (8.6lb)

▪ **Available Model**

DS-2TD4237-10/V2

DS-2TD4237-10/V2(U)

▪ **Dimension**








Unit:mm

▪ **Accessory**

▪ **Optional**

DS-1602ZJ Wall mount	DS-1661ZJ Pendant Mount	DS-1604ZJ-BOX- POLE Pole Mount	DS-1667ZJ Pendant Mount	DS-1660ZJ Parapet Wall Mount

<p>DS-1673ZJ Vertical Pole Mount</p>	<p>DS-1604ZJ-corner Corner Mount</p>	<p>DS-1619ZJ Pendant Mount</p>	<p>DS-1604ZJ-BOX-CORNER Wall Mount with Junction Box</p>	<p>DS-1604ZJ-box Wall Mount</p>
				
<p>DS-1604ZJ-pole Vertical Pole Mount</p>	<p>DS-1662ZJ Pendant Mount</p>	<p>DS-1663ZJ Ceiling Mount</p>		
				

COMPLIANCE NOTICE: The thermal series products might be subject to export controls in various countries or regions, including without limitation, the United States, European Union, United Kingdom and/or other member countries of the Wassenaar Arrangement. Please consult your professional legal or compliance expert or local government authorities for any necessary export license requirements if you intend to transfer, export, re-export the thermal series products between different countries.

Headquarters

No.555 Qianmo Road, Binjiang District,
Hangzhou 310051, China
T +86-571-8807-5998
www.hikvision.com



Follow us on social media to get the latest product and solution information.

