

BDCOM S2928F Hardware Installation Manual



Table of Contents

| | |
|---|----|
| Chapter 1 BDCOM S2928F Introduction..... | 1 |
| 1.1 Standard Configuration..... | 1 |
| 1.2 Characteristic Parameters of BDCOM S2928F..... | 2 |
| 1.3 ROHS Description..... | 3 |
| Chapter 2 Installation Preparation..... | 5 |
| 2.1 Cautions..... | 5 |
| 2.2 Safety Advice..... | 5 |
| 2.2.1 Safety Principles..... | 5 |
| 2.2.2 Safety Notices..... | 5 |
| 2.2.3 Safety Principles for Live Working..... | 6 |
| 2.2.4 Electrostatic Discharge Prevention..... | 6 |
| 2.3 Requirements for Common Locations..... | 7 |
| 2.3.1 Environment..... | 7 |
| 2.3.2 Location Configuration Prevention..... | 7 |
| 2.3.3 Cabinet Configuration..... | 7 |
| 2.3.4 Power Requirements..... | 8 |
| 2.4 Installation Tools and Device..... | 8 |
| Chapter 3 Installing BDCOM S2928F Switch..... | 9 |
| 3.1 Installation Flow of BDCOM S2928F..... | 10 |
| 3.2 Installing the Chassis of the Switch..... | 10 |
| 3.2.1 Installing the Chassis on the Desk..... | 10 |
| 3.2.2 Installing the Chassis on the Cabinet..... | 10 |
| 3.3 Connecting the Port..... | 11 |
| 3.3.1 Connecting the Console Port..... | 11 |
| 3.3.2 Connecting the 10GE Ethernet SFP+ Ports..... | 13 |
| 3.3.3 Connecting Gigabit Ethernet Base-T Ports..... | 13 |
| 3.4 Checkup After Installation..... | 15 |

| | |
|--|----|
| Chapter 4 Maintaining the Switch..... | 16 |
| 4.1 Opening the Chassis..... | 17 |
| 4.2 Closing Chassis..... | 17 |
| 4.3 System Memory Upgrade..... | 18 |
| 4.3.1 SDRAM Expansion..... | 18 |
| Chapter 5 Hardware Fault Analysis..... | 19 |
| 5.1 Fault Separation..... | 20 |
| 5.1.1 Faults Relative with Power and Cooling System..... | 20 |
| 5.1.2 Faults Relative with Port, Cable and Connection..... | 20 |
| 5.2 LED Description..... | 20 |

Chapter 1 BDCOM S2928F Introduction

The section describes the characteristics and parameters of BDCOM S2928F and gives an overview of BDCOM S2928F.

1.1 Standard Configuration

The built-in ports of BDCOM S2928F are: 8 gigabit combo ports, 16 gigabit optical ports, 4 10GE optical ports and 1 console port. See table 1-1.

Table 1-1 Attributes of the built-in ports

| Port | Attribute |
|----------------------|---|
| Gigabit combo port | RJ45/SFP interface with the LINK/ACT indicators |
| Gigabit optical port | SFP interface with LINK/ACT indicators |
| 10GE optical port | SFP+ interface with LINK/ACT indicators |
| Console port | A rate of 9600bps, Mini USB interface |

Additionally, BDCOM S2928F has a grounding column, a socket and a power on-off at its back.

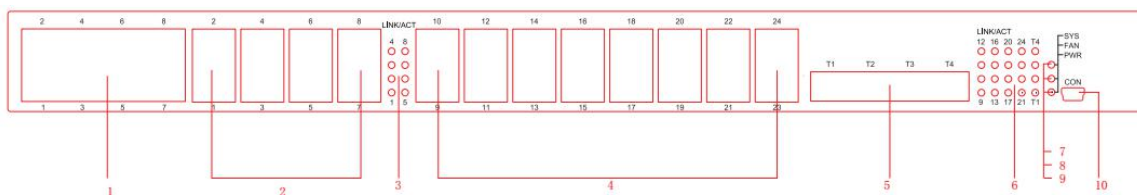


Figure 1-1 Front template of the BDCOM S2928F switch

Table 1-2 Parts at the front template of the BDCOM S2928F switch

| No. | Abbrev. | Name | Description |
|-----|----------|---------------------------------|---|
| 1 | / | 8 gigabit combo Base-T ports | / |
| 2 | / | 8 gigabit combo optical ports | / |
| 3 | Link/ACT | 8 gigabit combo port indicators | If the indicator is on, it corresponds to the port UP; If the indicator is off, it corresponds to the port Down. |
| 4 | / | 16 gigabit optical ports | / |
| 5 | / | 4 10GE optical ports | / |
| 6 | Link/ACT | 16 gigabit port indicators | If the indicator is on, it corresponds to THE port UP; If the indicator is off, it |

| | | | |
|----|---------|------------------|--|
| | | | corresponds to the port Down. |
| 7 | SYS | System indicator | If the indicator is always on, the system is being started. If the indicator flickers, the system works normally. |
| 8 | FAN | Fan indicator | If the indicator is on, the fan works normally; If the indicator is off, the fan breaks down. |
| 9 | PWR | Power indicator | If the switch is powered on, the indicator is on. |
| 10 | Console | Console port | Manages the switch locally. |



Figure 1-2 Back template of BDCOM S2928F switch

Table 1-3 Parts at the back template of BDCOM S2928F switch

| No. | Abbrev. | Name | Description |
|-----|---------|------------------|-----------------------------|
| 1 | / | AC power socket | AC100~240V. |
| 2 | / | Grounding column | The grounding must be fine. |

1.2 Characteristic Parameters of BDCOM S2928F

| | | |
|--------------------|---------------------|--|
| Protocol Standards | Supported standards | <ul style="list-style-type: none"> IEEE 802.1d Spanning Tree Protocol IEEE 802.1s multiple spanning trees IEEE 802.1p Class of Service IEEE 802.1q tagged VLAN IEEE 802.3x Flow control IEEE 802.3z asymmetric flow control IEEE 802.3ad Link aggregation |
|--------------------|---------------------|--|

| | | |
|--------------------------|--------------------------------|---|
| | IP routing protocol standard | RFC 1058 RIP RFC 1723 RIP v2 RFC 1583 OSPF v2 |
| | Network management standard | RFC 1157 SNMP v1/v2 RFC 1213 MIB II RFC 1757 RMON 1,2,3,9 |
| Hardware characteristics | Memory | Flash Memory: 16M Bytes SDRAM: 512M Bytes; |
| | Standard configuration | 8 gigabit combo ports; 16 gigabit Ethernet SFP ports; 4 10GE SFP+ interfaces; 1 console port |
| | Dimensions(W×D×H)(mm) | 440×280×44 |
| | Operating temperature/humidity | -10℃-40℃; 10%-90% non-condensing |
| | Storage temperature/ humidity | -40℃-80℃; 5%-95% non-condensing |
| | Power characteristics | Input voltage: AC100-264V Input frequency: 47-63Hz Reserved dual power supply |
| | Power consumption | Max 72W |

1.3 ROHS Description

| Part Name | Toxic or Hazardous Substances and Elements | | | | | |
|----------------------------------|--|----|----|--------|-----|------|
| | Pb | Hg | Cd | Cr(VI) | PBB | PBDE |
| PCBA | ○ | ○ | ○ | ○ | ○ | ○ |
| Metal Parts | ○ | ○ | ○ | ○ | ○ | ○ |
| Plastic & Polymer Parts | ○ | ○ | ○ | ○ | ○ | ○ |
| Cables & Cable Assemblies | ○ | ○ | ○ | ○ | ○ | ○ |
| Packaging Materials & Assemblies | ○ | ○ | ○ | ○ | ○ | ○ |

This table is prepared in accordance with the provisions of SJ/T11364.

○: Indicates that said hazardous substance contained in all of the homogeneous materials for this part is below the limit requirement of GB/T26572

X: Indicates that said hazardous substance contained in at least one of the homogeneous materials used for this part is above the limit requirement of GB/T26572.

The referenced environment-friendly use period logo is determined based on the normal operating conditions (such as temperature and humidity)

(NOTE: These statements apply only to the China RoHS regulations.)



Chapter 2 Installation Preparation

2.1 Cautions

Similar to other electronic products, the semiconductor chip easily gets damaged if you power on and off abruptly and frequently. To restart up the switch of BDCOM S2928F, you have to open the power on-off after the power is cut down for three to five seconds.

Avoid severe collision or falling down from the height to protect the parts in the switch.

Use correct outside ports to connect the switch of BDCOM S2928F. Do not put the Ethernet plug into the console port (RJ45 8-line socket). Similarly, do not put the console cable into the console port (RJ45 8-line socket).

Note:

- 1) When you plug or dial out the power line, keep the power line horizontal with the power socket.
- 2) When the lifetime of our products ends, handle them according to national laws and regulations, or send these products to our company for collective processing.

2.2 Safety Advice

2.2.1 Safety Principles

- Keep dustless and clean during or after the installation.
- Put the cover at the safe place.
- Put tools at the right place where they are not easily falling down.
- Put on relatively tight clothes, fasten the tie or scarf well and roll up the sleeve, avoiding stumbling the chassis.
- Put on the protective glasses if the environment may cause damage to your eyes.
- Avoid incorrect operations that may cause damage to human or devices.

2.2.2 Safety Notices

The safety notices mentioned here means that improper operation may lead to body damage.

- Read the installation guide carefully before you operate the system.
- Only professionals are allowed to install or replace the switch.

- Pull out the AC power socket and close the direct-current power before operating on the machine box or working beside the power source.
- The final configuration of products must comply with relative national laws and regulations.

2.2.3 Safety Principles for Live Working

When you work under electricity, following the following principles:

- Put off ornaments, such as ring, necklace, watch and bracelet, before you operate under live working. When metal articles connect the power to the ground, short circuit happens and components may be damaged.
- Pull out the AC power socket and close the direct-current power before operating on the machine box or working beside the power source.
- When the power is on, do not touch the power.
- Correctly connect the device and the power socket.
- Only professionals are allowed to operate and maintain the device.
- Read the installation guide carefully before the system is powered on.

Note:

- 1) Check potential dangers, such as the humid floor, ungrounded extensible power line and tatty power line.
- 2) Install the emergent on-off at the working room for turning off the power when trouble happens.
- 3) Turn off the power on-off of the switch and plug off the power line before installing or uninstalling the machine box or working beside the power.
- 4) Do not work alone if potential dangers exist.
- 5) Cut off the power before checkout.
- 6) If trouble happens, take the following measures:
 - A. Cut off the system's power.
 - B. Alarm.
 - C. Take proper measures to help persons who are hit by the disaster. Artificial respiration is needed if necessary.
 - D. Seek for medical help, or judge the loss and seek for available help.

2.2.4 Electrostatic Discharge Prevention

Electrostatic discharge may damage devices and circuits. Improper treatment may cause the switch to malfunction completely or discontinuously.

Move or locate the devices according to the measures of electrostatic discharge prevention, ensuring the chassis connects the ground. Another measure is to wear the static-proof hand ring. If there is no hand ring, use the metal clip with the metal cable to clip the unpainted metal part of the chassis. In this case, the static is discharged to the ground through the metal cable of the clip. You can also discharge the static to the ground through your body.

2.3 Requirements for Common Locations

This part describes the requirements for the installation locations.

2.3.1 Environment

The switch can be installed on the desk or the cabinet. The location of the chassis, cabinet planning and indoor cabling are very important for normal system's function. Short distance between devices, bad ventilation and untouchable control plate will cause maintenance problems, systematic faulty and breakdown.

For location planning and device locating, refer to section 2.3.2 "Location Configuration Prevention".

2.3.2 Location Configuration Prevention

The following preventive measures assist you to design the proper environment for the switch.

- Make sure that the workshop is well-ventilated, the heat of electrical devices is well-discharged and sufficient air circulation is provided for device cooling.
- Avoid to damage devices by following the electrostatic discharge prevention procedure.
- Put the chassis at the place where cool air can blow off the heat inside the chassis. Make sure the chassis is sealed because the opened chassis will reverse the cool air flow.

2.3.3 Cabinet Configuration

The following content assists you to make a proper cabinet configuration:

- Each device on the cabinet gives off heat when it runs. Therefore, the sealed cabinet must have the heat-discharge outlet and the cooling fan. Do not put the devices too close, avoiding bad ventilation.
- When you install the chassis at the open cabinet, prevent the frame of the cabinet from blocking the airway of the chassis.
- Ensure that nice ventilation is provided for the devices installed at the bottom of the cabinet.

- The clapboard separates exhaust gas and inflow air, and boost the cool air to flow in the chassis. The best location of the clapboard is decided by the air flow mode in the chassis, which can be obtained through different location tests.

2.3.4 Power Requirements

Make sure that the power supply has nice grounding and the power at the input side of the switch is reliable. The voltage control can be installed if necessary. At least a 240 V, 10A fuse or a breaker is provided in the phase line if you prepare the short-circuit prevention measures for a building.

Caution:

If the power supply system does not have good grounding, or the input power disturbs too much and excessive pulses exist, the error code rate of communication devices increases and even the hardware system will be damaged.

2.4 Installation Tools and Device

The tools and devices to install the BDCOM S2928F switch are not provided by the BDCOM S2928F switch. You yourself need to prepare them. The following are the tools and devices needed for the typical installation of the BDCOM S2928F switch:

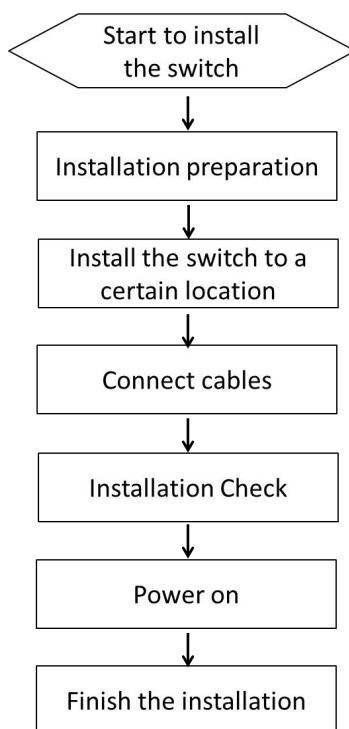
- Screwdriver
- Static armguard
- Bolt
- Ethernet cable
- Other Ethernet terminal devices
- Control terminal

Chapter 3 Installing BDCOM S2928F Switch

Caution:

Only professionals are allowed to install or replace the devices of the router.

3.1 Installation Flow of BDCOM S2928F



3.2 Installing the Chassis of the Switch

The chassis of the router can be installed on the desk or can be fixed to other cabinets. Your network installation requirements can be met if you conduct the operations according to the following procedure. It can be described in the following two parts:

- Installing the Chassis on the Desk
- Installing the Chassis on the Cabinet

3.2.1 Installing the Chassis on the Desk

The BDCOM S2928F switch can be directly put on the smooth and safe desk.

Note:

Do not put things weighing 4.5 kg or over 4.5 kg on the top of the switch.

3.2.2 Installing the Chassis on the Cabinet

The chassis of the switch is fixed on the cabinet through the brackets. When you fix the brackets, the front template of the switch faces forward. The detailed operations are shown in Figure 3-1.

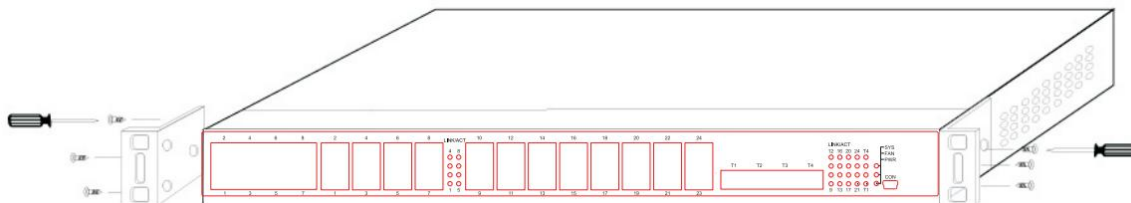


Figure 3-1 Fixing the machine box of the switch

After the brackets are installed, install the switch on the cabinet. See Figure 3-2.

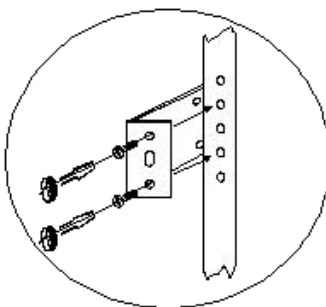


Figure 3-2 Installing the switch on the cabinet

3.3 Connecting the Port

3.3.1 Connecting the Console Port

The switch of BDCOM S2928F has a Console port.

The rate of the console port is 1200bps—115200bps. It has a mini USB plug. After you connect the console port to the serial port of PC through a console cable, you can configure and monitor the switch of BDCOM S2928F by running a terminal emulation software, such as super Windows terminal. The cable is provided according to the host. The communication parameters of the terminal serial port can be set to a rate of 9600bps, eight data bits, one stop bit, no sum check bit and traffic control.

The min USB connector of the console port is shown in the following figure. The mini USB plug corresponds to the RJ45 socket, whose pins can be aligned from left to right with the value from 1 to 4.



Figure 3-3 The Mini USB connector of the console port

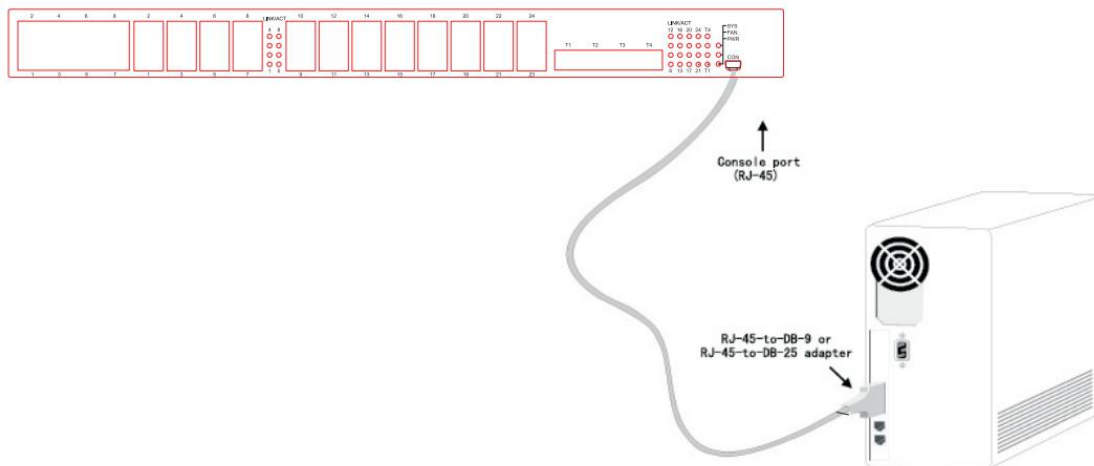


Figure 3-5 Connecting the console port of BDCOM S2928F and computer

Caution: The figure shown above does not represent the material BDCOM S2928F.

Table 3-1 Pins of the console port

| No. | Name | Symbol | Remarks |
|-----|-------------------|--------|------------|
| 1 | Data receiving | RXD | Input |
| 2 | / | NC | No connect |
| 3 | Signal ground | SG | GND |
| 4 | Data transmitting | TXD | Output |

Note:

The console port of the BDCOM S2928F switch does not support traffic control. Therefore, you must set the option data traffic control to none when you configure the switch with the super terminal. Otherwise, the single-pass problem will arise on the super terminal.

The cable is used to connect the console port of the BDCOM S2928F switch and the outside console terminal device. One end is mini USB plug and the other end is 9-hole plug (DB9). The mini USB plug connects to DB9 in the console port shown as below. The console cable is numbered as RLC8501.



Figure3-4 Cable connection at the console port

3.3.2 Connecting the 10GE Ethernet SFP+ Ports

The BDCOM S2928F switch has 4 10GE SFP+ ports and 4 corresponding indicators TE1~TE4. You can insert the SFP+ optical module into the port and then connect the module to other Ethernet terminal devices through the optical fiber if you want to use the SFP+ port.

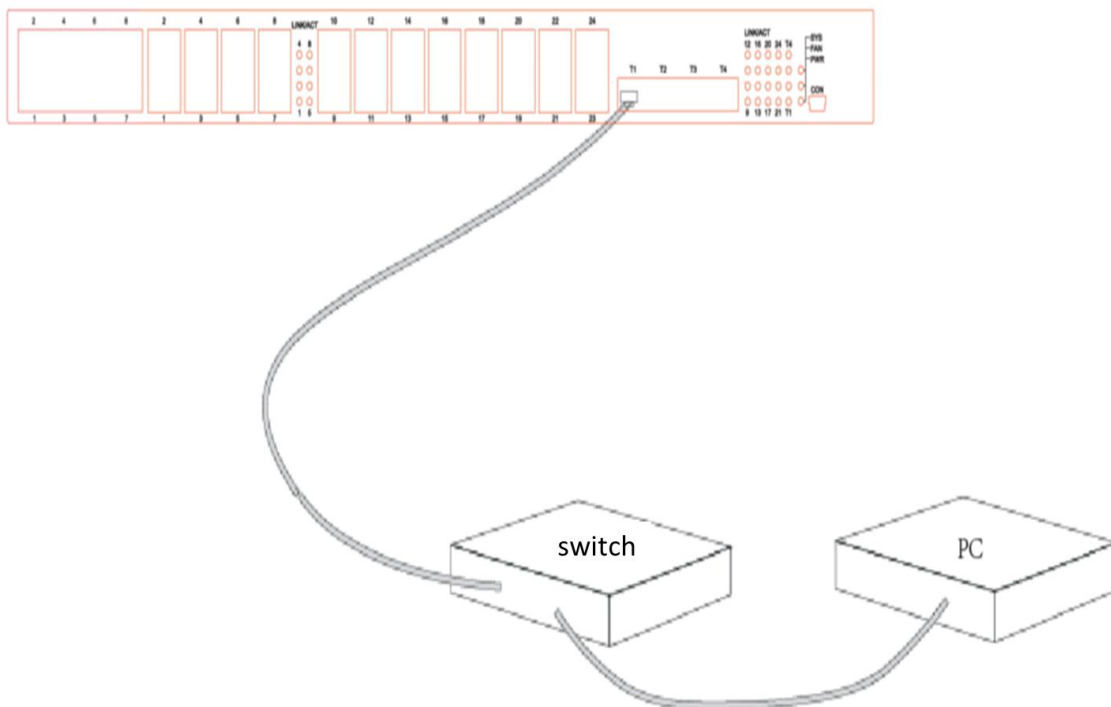


Figure 3-6 Connecting the 10GE SFP+ ports of BDCOM S2928F and other Ethernet terminals

3.3.3 Connecting Gigabit Ethernet Base-T Ports

The BDCOM S2928F switch has 8 10/100/1000 Base-T ports. The indicators are labeled with numbers 1-8, indicating the link/ACT state of the port. You can connect

other Ethernet terminal devices to the UTP port through the cut-through or cross network cable.

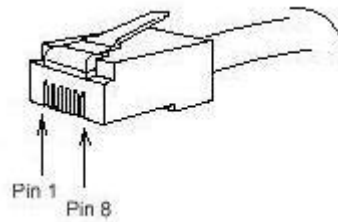


Figure 3-6 The RJ45 connector of the console port

Because 8 10/100Base-T ports of BDCOM S2928F support the MDI/MDIX auto-identification of the cable, BDCOM S2928F can adopt five classes of direct-through/crossover network cables when it connects to other Ethernet terminals.

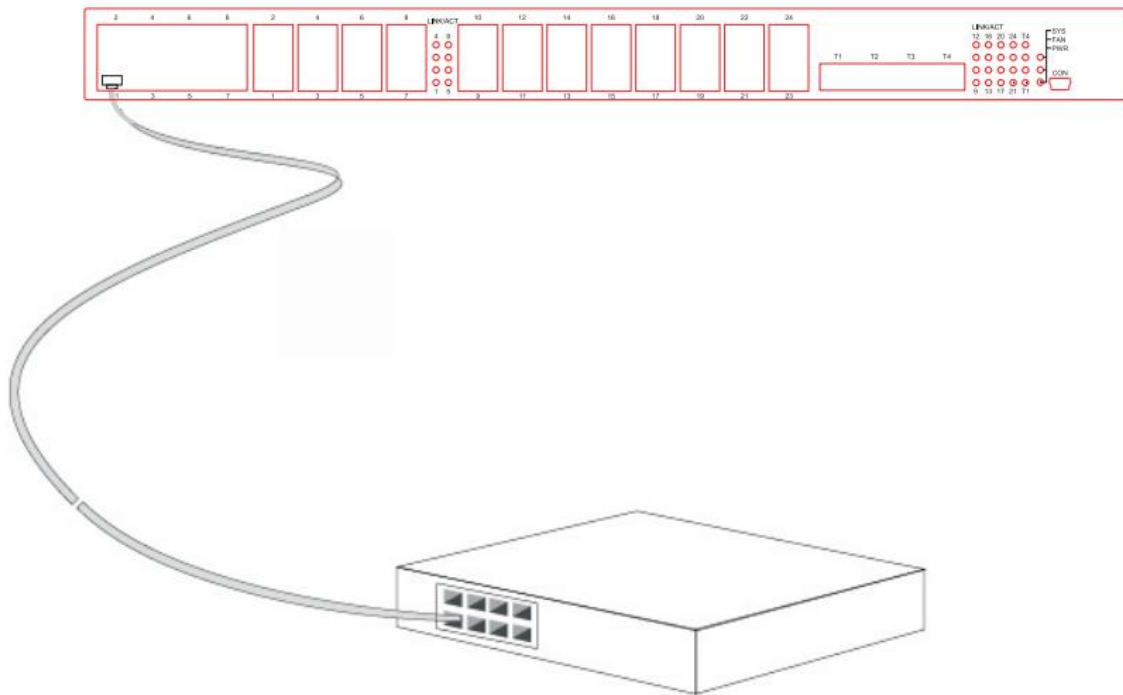


Figure 3-7 Connecting the 1000Base-TX port and other Ethernet terminals

Caution: The figure shown above does not represent the material BDCOM S2928F.

Table 3-2 Pins of gigabit RJ45 ports

| No. | Pin Name | Symbol |
|-----|---|--------|
| 1 | Sending/receiving the normal phase of data 0 | TP0+ |
| 2 | Sending/receiving the paraphase of the data 0 | TP0- |
| 3 | Sending/receiving the normal phase of data 1 | TP1+ |

| | | |
|---|---|------|
| 4 | Sending/receiving the normal phase of data 2 | TP2+ |
| 5 | Sending/receiving the paraphase of the data 2 | TP2- |
| 6 | Sending/receiving the paraphase of the data 1 | TP1- |
| 7 | Sending/receiving the normal phase of data 3 | TP3+ |
| 8 | Sending/receiving the paraphase of the data 3 | TP3- |

The direct-through or cross network cable has the function of auto-identification, so the five classes of direct-through/cross network cables can be used to connect other Ethernet devices.

3.4 Checkup After Installation

Before electrically starting up the switch, perform the following checkups after the switch is installed:

- If the switch is installed on the cabinet, check whether the installation point between the cabinet and the switch is strong. If the switch is installed on the desk, check whether there is enough space for the switch to discharge its heat and whether the desk is stable.
- Check whether the connected power meets the power requirements of the switch.
- Check whether the grounding line is correctly connected.
- Check whether the switch is correctly connected to other terminal devices.

Chapter 4 Maintaining the Switch

Caution:

- 1) Before opening the chassis, make sure that you have released the static you carried and then turn off the power on-off of the switch. Before operating any step in Appendix B, read the section "**SAFETY ADVICE**".
- 2) Before performing operations beside the power supply or on the chassis, turn off the power on-off and plug out the power cable.

4.1 Opening the Chassis

This section describes how to open the cover of the switch, required tools and operation methods.

Caution:

When the power cable still connects the power supply, do not touch it.

When you open the cover the switch, you may use the following tools: These tools are:

- Crossed screwdriver
- Static armguard

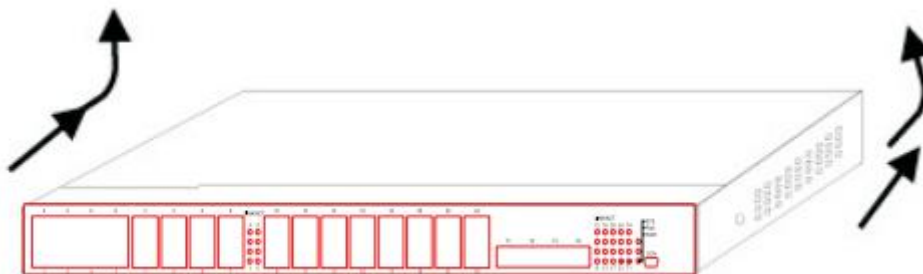
Perform the following steps to open the cover of the switch:

- (1) Turn off the power on-off of the switch.
- (2) Plug out all cables connected the back of the switch.
- (3) Take out the bolt from the chassis with the screwdriver.

Note:

The chassis comprises of two parts: cover and bottom.

- (4) Open the cover by holding two sides of the cover towards the direction of the arrow key shown in the following figure:



- (5) When the cover is opened, put it aside. The mainboard of the system appears.

Note:

After taking off the cover, put it horizontally and avoid it to be crushed or collided. Otherwise, the chassis is hard to install.

4.2 Closing Chassis

The section mainly describes how to put the cover and close the chassis. Do as follows:

- (1) Put them well according to their locations and joint them together along their sides.



- (2) See the following figure.
- (3) When the cover and the bottom are closely tied, let the cover slide the slot of the front template at the bottom.
- (4) Nail the bolt and screw it tightly with the screwdriver.
- (5) Reinstall the switch on the cabinet or the desk.
- (6) Reconnect all cables of the switch.

4.3 System Memory Upgrade

4.3.1 SDRAM Expansion

Because SDRAM of BDCOM S2928F adopts the patch design, you have to offer your SDRAM expansion requirement before purchase.

Chapter 5 Hardware Fault Analysis

The part describes how to remove the fault from the switch.

5.1 Fault Separation

The key for resolving the systematic faults is to separate the fault from the system. You can compare what the system is doing with what the system should do to detect the fault. You need to check the following subsystems:

- Power and cooling systems—power and fan
- Port, cable and connection—ports on the front template of the switch and the cables connecting these ports

5.1.1 Faults Relative with Power and Cooling System

Do the following checkups to help remove the fault:

- When the power on-off is at the “ON” location, check whether the fan works normally. If the fan does not work well, check the fan.
- If the switch is too hot, check whether the air outlet and air inlet are clean and then do relative operations in section 2.3 “Requirements for Common Locations”. The working temperature of the switch is from 0 to 40 Celsius degrees.(Fahrenheit 32 to 104 degrees)
- If the switch cannot be started and the PWR indicator is off, check the power.

5.1.2 Faults Relative with Port, Cable and Connection

Do the following checkups to help remove the fault:

- If the port of the switch cannot be linked, check whether the cable is correctly connected and whether the peer connection is normal.
- If the power on-off is at the “ON” location, check the power supply and the power cable.
- If the console port does not work after the system is started up, check whether the console port is set to a baud rate of 9600 bps, eight data bits, no sum check bit, one stop bit and no traffic control.

5.2 LED Description

BDCOM S2928F switch indicators and their usage:

| No. | Abbrev. | Name | Description |
|-----|---------|------------------|--|
| 1 | SYS | System indicator | <p>If the indicator is always on, the system is being started up.</p> <p>If the indicator flickers, the system works normally.</p> |

| | | | |
|---|---------|------------------------|---|
| 2 | PWR | Power LED | If the switch is powered on, the indicator is on. |
| 3 | FAN | Fan indicator | If the fan works normally, the indicator is on. |
| 4 | LINKACT | Indicator of each port | If the indicator is always on, the link on the port is normal. If the indicator is off, the port is not connected. |

Copyright Claims

Without the written approval of the company, any person or group cannot transcribe, copy or change partial or all contents of this manual, and must not broadcast it in any manner.

Trademark claims

Trademarks, product names, service names and company names, which are written in this manual but do not belong to the company, belong to their owners respectively.

Disclaimer of warranty

provides no evident or hinted guarantee towards the contents of this manual. In no event, except for the company's breach of law, shall the company be liable for incidental, consequential, indirect or special damages of any kind or for loss of profits or revenue or loss of business arising out of or relating to this manual.

Note: Customer shall not be notified of this manual's content amendments.